

Webbing Sheet Ribbon Roller Tensile Grips Series 222

These self-clamping action webbing capstan grips are used for tensile testing of soft and flexible specimens as strips, straps, ribbons, seat belts, slings, and webbing

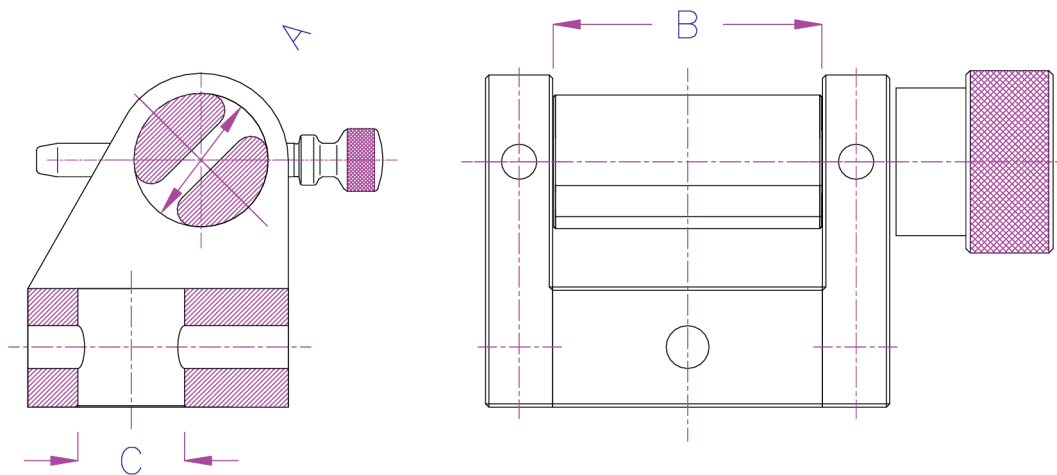
The roller grip design provides fast and easy loading with a self-clamping action generated by looping of the specimen around the wrapping split-drum which can be secured by locking pins.

Depending on the friction coefficient of the specimen, the sample will be wrapped once or multiple times around the column. These grips have a low overall height and are available for tests in environmental chambers.

Standards:

• ASTM D6775 • ASTM D3950 • ISO 1492 • ISO 252 • ISO 283 • and others





Technical Data

Model		222-30-80	222-40-80	222-60-80	22-60-100	222-60-120	222-80-120
Item Number		22-4122-000	22-6187-000	22-5596-000	22-6188-000	22-5659-000	22-6189-000
Max. Tensile Force	kN	20	50	100	100	100	100
Temperature Range	°C	-40°C to +280°C					
Max. Specimen Width (B)	mm	80	80	80	100	120	120
Split-Drum Ø (A)	mm	30	40	60	60	60	80
Max. Specimen Thickness	mm	5	7	11	11	11	11
Min. Specimen Length	mm	460	600	910	910	910	1160
Column Fillet Radius	mm	3	5	7.5	7.5	7.5	10
Coupling (C)	mm	20/8	30/12	40/16	40/16	40/16	40/16
Weight each Grip	kg	2.3	4.5	7.3	8.1	8.8	15

On Request we provide Webbing Sheet Ribbon Roller Tensile Grips up to 250 kN, for Extra Wide Specimens or with Internal Jaws for increased Clamping.

