

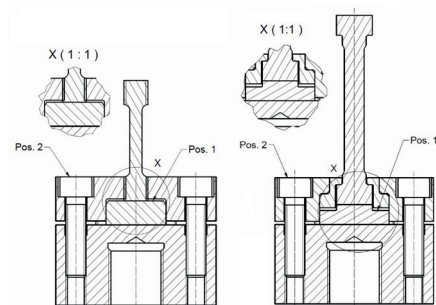
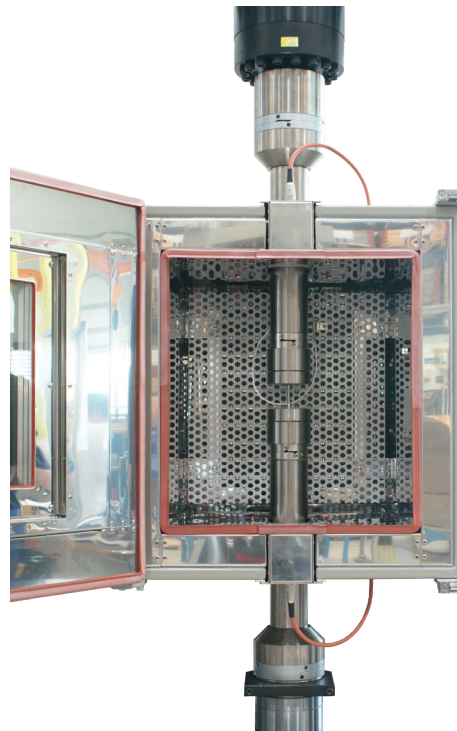
Mechanical Tension-Compression Grips Series TF

The TF grips are cost-effective fatigue rated, mechanical grips suitable for tension, compression and alternating tension-compression load on specimen with threaded ends or button-heads.

The hydraulic grips WGR-H Series are general-purpose grips for static, pseudostatic and dynamic (through-zero) testing which provides excellent sample grip on a variety of materials.



Designed to perform tension, compression or through-zero loading on button or threaded-end specimens. A preload is applied mechanically by tightening a set of bolts on the periphery of the grip base.



The TF Grips are available for forces up to 500 kN for ambient testing or as version for the use inside the environmental chamber.